



# T120 Series TCXO

10 to 100 MHz  
(Rev C)

GREENRAY INDUSTRIES, INC.

PRECISION QUARTZ TECHNOLOGY

Low Noise TCXO  
Tight Stability

## SPECIFICATIONS

<b>Frequency</b>	10.0 to 100.0MHz		
<b>Output</b>	Squarewave, CMOS		
<b>Load</b>	15pF ±10%		
<b>Symmetry</b>	50% ± 10%		
<b>Rise/Fall Time</b>	≤10ns		
<b>Temp Stability</b>	<b>Temp Range</b>	<b>Tolerance</b>	<b>Option</b>
	-40 to +85°C	±5x10 <sup>-7</sup>	T57
	-40 to +85°C	±1x10 <sup>-6</sup>	T16

Ramp rate of up to 5°/minute; shall meet spec within 1 minute of turn-on.

<b>Freq vs. Supply Aging</b>	±1x10 <sup>-7</sup> for a 5% change
<b>Supply Voltage</b>	+3.3V or +5.0 VDC ± 5%
<b>Input Current</b>	30mA max

<b>Phase Noise</b> (typical)	<b>Offset</b>	<b>dBc/Hz (10M)</b>	<b>dBc/Hz (100M)</b>
	10 Hz	-95	-70
	100 Hz	-125	-100
	1 kHz	-145	-125
	10 kHz	-155	-145
	100kHz	-160	-160

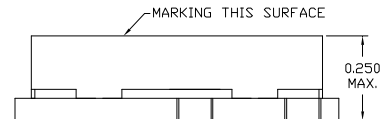
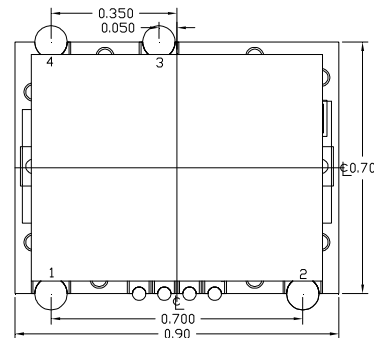
**Frequency Adjust** ±6.0 ppm typical, positive slope, 0V to Vsupply EFC

### Environmental

- Shock - per MIL-STD-202, Meth 213, Cond K
- Vibration - per MIL-STD-202, Meth 202, Meth 201A
- Storage Temp - -55 to +85°C

Ordering Example:

T120-T57-3.3-70.0MHz  
(Model-Stability-InpV-Freq)



Pad Connections:

- Pad 1 - Output
- Pad 2 - EFC
- Pad 3 - Gnd
- Pad 4 - Supply V

