


**Table 1. Electrical Performance**

Parameter	Symbol	Min.	Typ	Max	Units
Nominal Frequency	$F_{NOM}$	3.500		100.000	MHz
Mode		Fundamental, 3rd Overtone			
Operating Temperature Range	$T_{OP}$	0/70, -10/70, -20/70, -40/85			°C
Stability Over $T_{OP}^1$	$F_{STAB}$	±10		±100	ppm
Frequency Tolerance <sup>2</sup>	$F_{TOL}$		±10		ppm
Load Capacitance	$C_L$	6		32	pF
Shunt Capacitance	$C_o$			5	pF
Drive Level			10	100	uW
Aging / 1st year (at 25 °C)	$F_{AGE}$			±5	ppm
Insulation Resistance		500			MOhm
Storage Temperature	$T_{STO}$	-40		90	°C
Equivalent Series Resistance					
Crystal Frequency	ESR				Ohm
3.500MHz-3.579MHz				250	
3.580MHz-4.000MHz				150	
4.001MHz-5.000MHz				120	
5.001MHz-6.000MHz				100	
6.001MHz-7.000MHz				80	
7.001MHz-10.000MHz				60	
10.001MHz-14.000MHz				50	
14.001MHz-20.000MHz				40	
20.001MHz-40.000MHz, Fundamental				30	
24.001MHz-35.000MHz, 3rd Overtone				100	
35.000MHz-100.000MHz, 3rd Overtone				80	

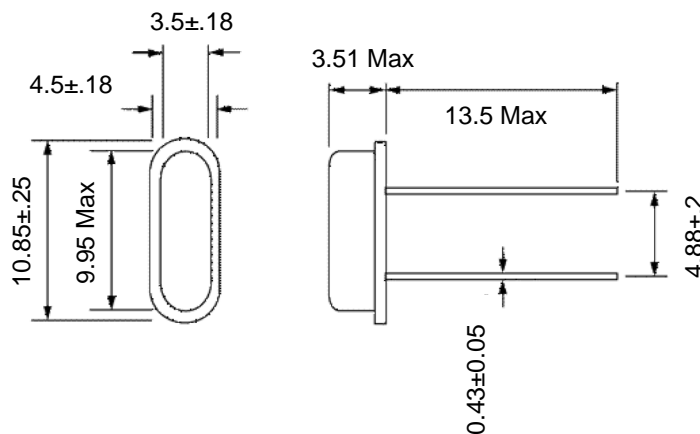
Notes:

1. Referenced to the Frequency at 25 °C.

2. Frequency measured at 25 °C ± 3 °C.

Product is compliant to RoHS directive and fully compatible with lead free assembly. 

## Package Drawing



All Dimensions in mm