



Ph Free

RoHS Compliant

Features

- Compact oscillator with a CMOS IC built in that is the same shape (height 3.5mm) as a crystal device
- It is a hermetic sealed type with a metal case
- The case comes with a grounding terminal
- It is also possible to attach a stand-off (option)
- It is provided with multiple standard frequencies

Applications

- Amusement

How to Order

KCJXOx- 20.0000 C 5 1 C 00
 ① ② ③ ④ ⑤ ⑥ ⑦

- ① Type (KCJXO5 or KCJXO7)
- ② Output Frequency
- ③ Output Type (CMOS)
- ④ Supply Voltage (5.0V)
- ⑤ Frequency Tolerance
- ⑥ Symmetry/ Enable Function (40/ 60%)
- ⑦ Customer Special Model Suffix
 "00" for Standard Specifications
 "S0" for Stand-off Type
 "F0" for SMD Type

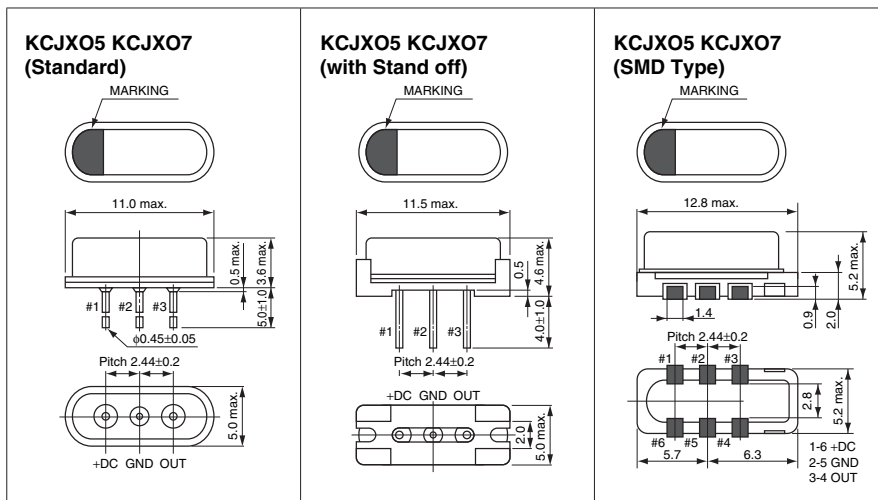
Specifications

Item	Symbol	Conditions	Specifications		Units
			Min.	Max.	
Output Frequency Range	F _o	KCJXO5 Type KCJXO7 Type	1 20.1	20 70	MHz
Frequency Tolerance (Overall)	F _{tol}		-100	+100	×10 ⁻⁶
Storage Temperature Range	T _{stg}		-20	+80	°C
Operating Temperature Range	T _{use}		-10	+70	°C
Supply Voltage	V _{CC}		4.5	5.5	V
Current Consumption	I _{CC}	KCJXO5 Type (1 to 20MHz)	—	20	mA
		KCJXO7 Type (20.1 to 50MHz)	—	25	
		KCJXO7 Type (50.1 to 70MHz)	—	50	
Symmetry	SYM	@ 50% V _{CC}	40	60	%
Rise/ Fall Time	tr/ tf	KCJXO5 Type (1 to 20MHz)	—	20	nS
		KCJXO7 Type (20.1 to 50MHz)	—	15	
		KCJXO7 Type (50.1 to 70MHz)	—	10	
Low Level Output Voltage	V _{OL}		—	10% V _{CC}	V
High Level Output Voltage	V _{OH}		90% V _{CC}	—	V
Output Load	CL	KCJXO5 Type (1 to 20MHz)	—	50	pF
		KCJXO7 Type (20.1 to 70MHz)	—	15	
Start-up Time	t _{str}	KCJXO5 Type (1 to 20MHz)	—	3	mS
		KCJXO7 Type (20.1 to 70MHz)	—	10	

Note: All electrical characteristics are defined at the maximum load and operating temperature range.
 Please contact us for inquiries about operating temperature range, available frequencies and other conditions.

Dimensions

(Unit: mm)



Recommended Land Pattern

(Unit: mm)

