

Pb Free

RoHS Conforming

Features

- Reference frequency for telecommunication systems
- Reflow compatible
- Using Ceramic Package resulting in high reliability
- Small and low profile

Applications

- Mobile communications, Bluetooth, Wireless LAN

Standard Frequencies (kHz)

12000.000	26000.000
13000.000	32000.000
16000.000	40000.000
20000.000	

* Please inquire about frequencies other than the above.

Specifications

Items	Symbol	Specification	Units	Remarks
Frequency Range	F ₀	12000~40000	kHz	
Overtone Order	—	Fundamental	—	
Frequency Tolerance	ΔF/F	±10	ppm	@ 25°C
Frequency Temperature Characteristics	ΔF/T	±15	ppm	ref@ 25°C Over Operating Temp Range
Motional Series Resistance	C _I	Table 1	ohm	
Level of Drive	—	Table 2	μW	
Load Capacitance	C _L	10	pF	
Operating Temp. Range	T _{OPR}	-30~+85	°C	
Storage Temp. Range	T _{STG}	-40~+85	°C	

* Please inquire about specifications other than the above.

Table1 Motional Series Resistances

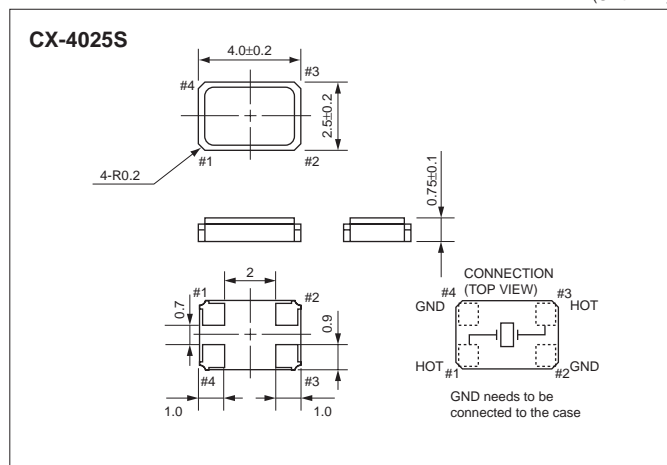
Frequency Range	Motional Series Resistance	Units
12000~1999kHz	80	ohm
20000~40000kHz	50	

Table2 Level of Drive

Frequency Range	Level of Drive	Units
12000~40000kHz	10(100 max.)	μW

Dimensions

(Unit : mm)



Recommended Land Pattern

(Unit : mm)

