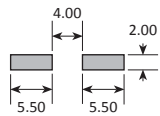


SOLDER PAD LAYOUT



Features

- ▮ Wide frequency range
- ▮ Low profile case
- ▮ Fundamental mode available up to 50.0MHz
- ▮ Large stocks of standard frequencies
- ▮ Lowest cost SM crystal

Specifications

GSX49-4: 4.3mm maximum height

GSX49-3: 3.2mm maximum height

Parameters	Product		Option Codes
	GSX49-4	GSX49-3	
Package:	HC49-4H SMD HC49-3H SMD		
Frequency range:	3.180 ~ 90.0MHz 3.579 ~ 90.0MHz		
Calibration tolerance:	±20ppm ±30ppm ±50ppm Other values (±10ppm ~ ±100ppm)		2 3 5 specify
Temperature stability:	±30ppm ±50ppm ±100ppm ±10ppm ~ ±100ppm		3 5 C specify
Operating temperature range:	-10 to +60°C -20 to +70°C -30 to +80°C -40 to +85°C Other values		1 2 3 4 specify
Storage temperature range:	-40 to +90°C		
Circuit condition:	12pF 16pF 18pF 20pF 30pF Other values		B D E F J specify
Oscillation mode:	Fundamental 3rd overtone		F 3
Equivalent series resistance (max):	300Ω (>3.1 ~ 3.5MHz) 150Ω (>3.5 ~ 4.0MHz) 120Ω (>4.0 ~ 4.4MHz) 100Ω (>4.4 ~ 7.0MHz) 70Ω (>7.0 ~ 10.0MHz) 50Ω (>10.0 ~ 50.0MHz, fund) 100Ω (>25.0 ~ 90.0MHz, 3rd OT)		
Static capacitance (C0):	7pF max		
Ageing:	±3ppm max first year		
Test drive level:	100μW		

▮ Standard. □ Optional - Please specify required code(s) when ordering

Ordering Information

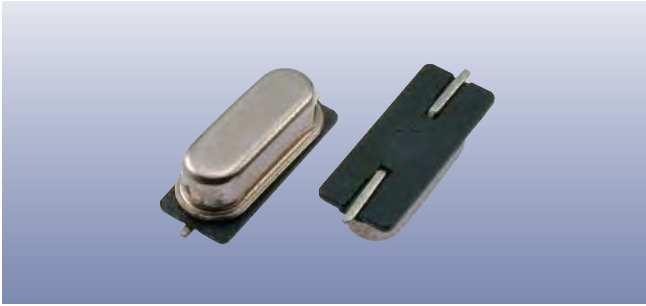
Product name + frequency + circuit condition

eg: **GSX49-4/351DF 20.0MHz** 30/50/10/16-F (standard)

GSX49-3/5C2S3 48.0MHz 50/100/20/S-3

Option code X (eg GSX49-4/X) denotes a custom specification.

♦ IMPORTANT: Not normally available in small quantities of non-standard frequencies. Please check with us before ordering.



Packaging & Handling

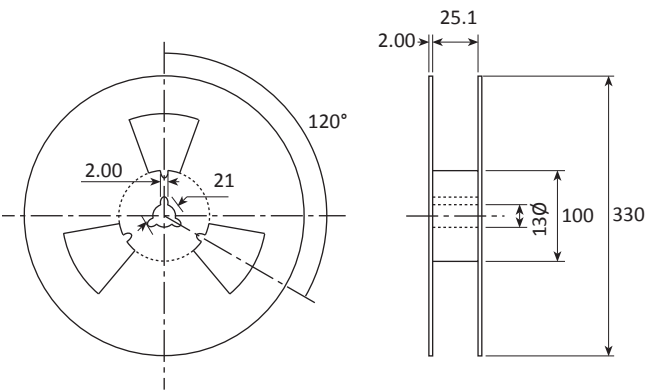
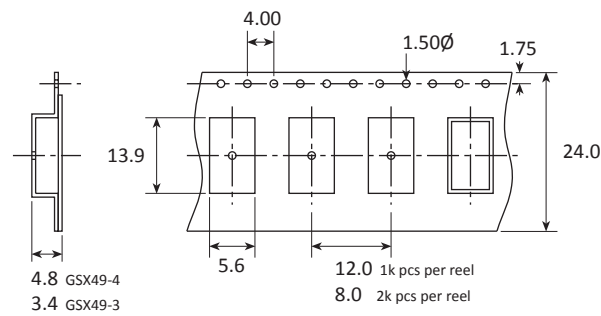
Production quantities supplied on T&R, 1k or 2k pcs per reel. Small quantities may be supplied on tape (no reel), or in bulk.

Marking

FREQUENCY DC

Marking type: Laser
DC = Date code

Tape & Reel Specification



Not to scale. Dimensional tolerances $\pm 0.1\text{mm}$ unless otherwise stated.

Construction

- ▶ Metal package, hermetic seal
- ▶ Insulating base, formed leads

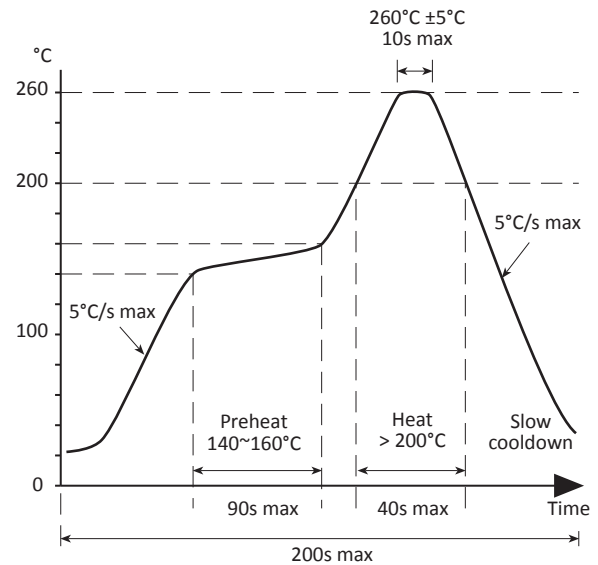
Composition



This product is lead-free, and is fully compliant with the RoHS directive 2002/95/EC



Soldering Profile



Maximum solder resistance: 260°C x 10 secs x 2.