

PAD	CONNECTION
1	Enable / disable
2	Ground
3	Output
4	Supply

Features

- ▶ High precision with tight stability options
- ▶ Wide operating temperature ranges
- ▶ High frequency fundamental - no multiplier
- ▶ Low & medium volumes also available
- ▶ Enable / disable tristate function

Enable / Disable Function

Input (pad 1)	Output (pad 3)
Open	Enabled
'1' level	Enabled
'0' level	High Impedance

Note: '0' level = $V_{IL} \leq 30\%V_{DD}$, '1' level = $V_{IH} \geq 70\%V_{DD}$

Specifications

GXO-3300: 1.8V supply

GXO-3300: 2.5V supply

GXO-3300: 3.3V supply

Parameters	Variant			Option Codes	
	G	J	L		
Frequency range:	10.0 ~ 160MHz	■	■	■	
Frequency stability (max)*	±2.5ppm over -40 to +85°C ±5.0ppm over -40 to +85°C ±10ppm over -40 to +85°C ±20ppm over -40 to +105°C ±25ppm over -40 to +125°C	<input type="checkbox"/> <input type="checkbox"/> <input type="checkbox"/> <input type="checkbox"/> <input type="checkbox"/>	<input type="checkbox"/> <input type="checkbox"/> <input type="checkbox"/> <input type="checkbox"/> <input type="checkbox"/>	<input type="checkbox"/> <input type="checkbox"/> <input type="checkbox"/> <input type="checkbox"/> <input type="checkbox"/>	H G F D A
Storage temperature range:	-55 to +125°C	■	■	■	
Supply voltage (V_{DD}):	+1.8V (±5%) +2.5V (±5%) +3.3V (±5%)	■	■	■	
Supply current (mA max):	11mA (10.0 ~ 80.0MHz) 20mA (80.0 ~ 160MHz)	■	■	■	
Logic levels:	'0' level = 10% V_{DD} max '1' level = 90% V_{DD} min	■	■	■	
Start up time:	5ms max	■	■	■	
Waveform symmetry:	45:55 max @ 50% V_{DD}	■	■	■	
Driving ability:	15pF CMOS	■	■	■	
Rise / fall time (10~90% V_{DD}):	6ns max (≤ 40.0 MHz) 3ns max (> 40.0 MHz)	■	■	■	
Enable / disable function:	Tristate (control via pad 1)	■	■	■	
Stand-by current:	10µA max	■	■	■	
Phase jitter RMS:	0.3ps typ (12kHz ~ 20.0MHz)	■	■	■	

■ Standard. □ Optional - Please specify required code(s) when ordering

* Frequency stability is inclusive of calibration @ 25°C, operating temperature range, supply voltage change, load change, shock and vibration. Option H inclusive of calibration @ 25°C and operating temperature range only.

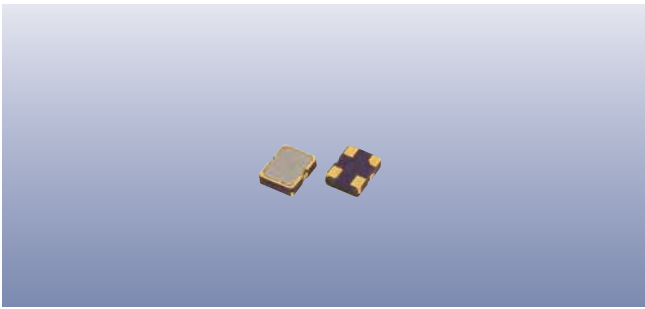
Ordering Information

Product name + variant + option codes + frequency

eg: **GXO-3300L/G 54.0MHz** 3.3V, ±5ppm, -40+85°C


GXO-3300G/D 108MHz 1.8V, ±10ppm, -40+105°C

Option code X (eg GXO-3300L/X) denotes a custom spec.



Packaging & Handling

Production quantities supplied on T&R, 2k pcs per reel.
Small quantities may be supplied on tape (no reel), or in bulk.

 Static sensitive product. Observe proper handling precautions

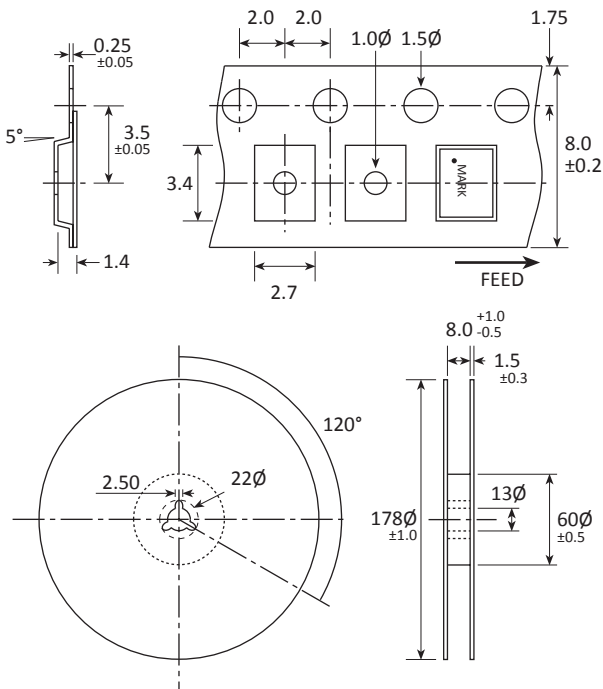
Marking

FREQUENCY
DC

Marking type: Laser
DC = Date code in YM, eg "GE" = May 2017

	A	B	C	D	E	F	G	H	J	K	L	M
Y	1	2	3	4	5	6	7	8	9	0		
M	Jan	Feb	Mar	Apr	May	Jun	Jul	Aug	Sep	Oct	Nov	Dec

Tape & Reel Specification



Not to scale. Dimensions in mm. Tolerances ±0.1mm unless otherwise stated.

Construction

- Ceramic body with gold-plated pads
- Metal lid, seam sealed

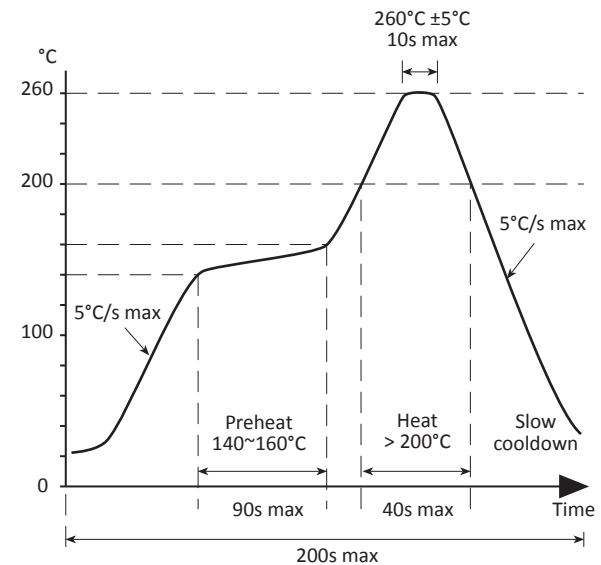
Composition



This product is lead-free, and is fully compliant with current RoHS directives



Soldering Profile



Solder resistance: 260°C x 10 secs x 2.