

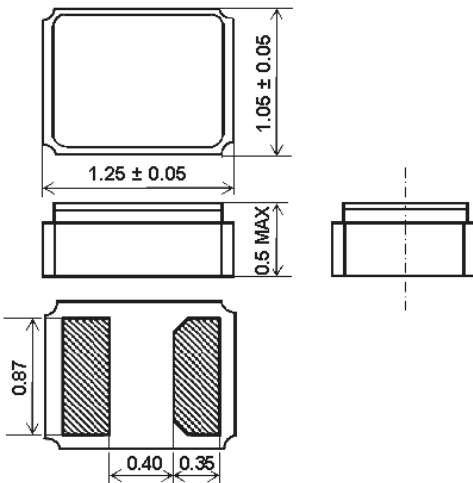


Tuning Fork Crystal

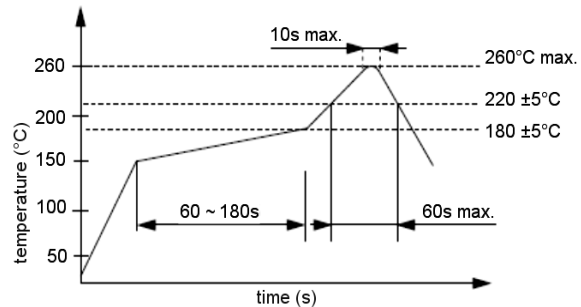
SMD-version

| | |
|---|--|
| model | KX-327VT |
| frequency | 32.768 kHz |
| operating temperature | -40° ~ +85°C |
| frequency tolerance (df/F) at +25°C ± 3°C | ± 20 ppm |
| temperature tolerance (parabolic coefficient) at -40° ~ +85°C | -0.036 ppm ± 0.01/°C ² typ. |
| turnover temperature | +25°C ± 5°C |
| storage temperature range | -55°C ~ +125°C |
| load capacitance C _L | (7 pF) 9 pF, 12.5 pF |
| motional capacitance(C ₀) | 1.3 pF |
| series resonance R1 max. | 90k Ohm |
| aging at +25°C (first year) max. | ± 3 ppm |
| drive level | 0.1 μW typ., 0.5 μW max. |
| contents of reel | 5000 pcs. |
| part no. | 12.xxxxx |

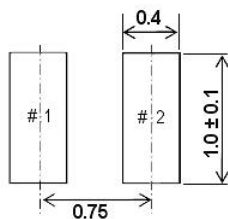
Dimensions (mm):



Reflow soldering condition:



Suggested soldering pad:



Tape specification:

