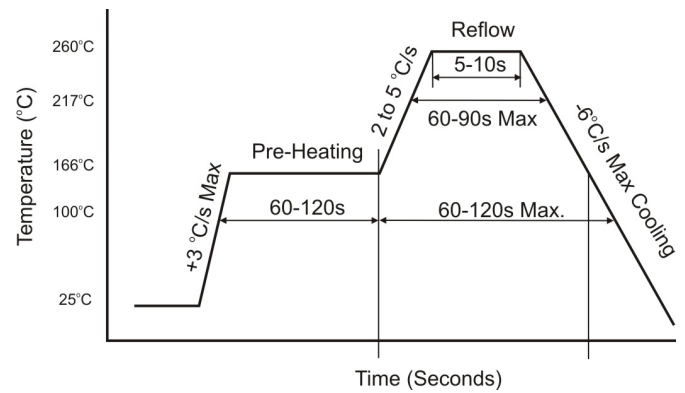


Legacy part - Not recommended for new designs

Standard Specifications

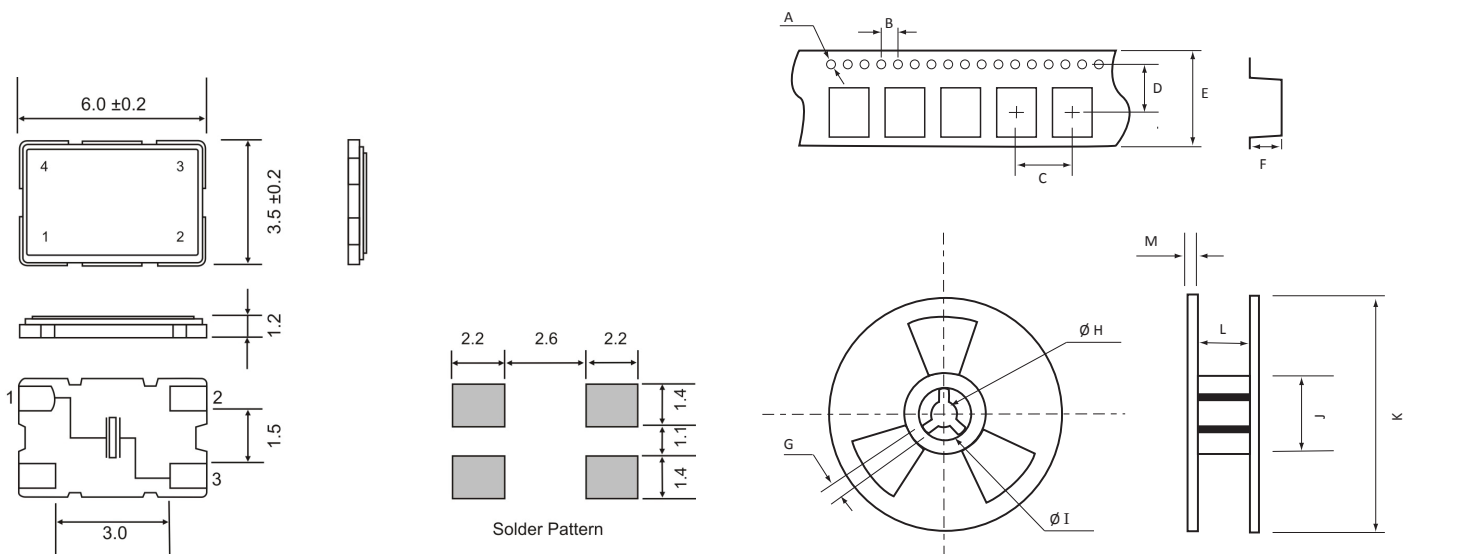
Parameter	Symbol	Specification	Remarks
Frequency Range	f_0	7.6 to 110.0 MHz	
Frequency Tolerance	$\Delta f/f$	± 30 PPM (Std)	at 25°C with 100 μ W (Higher tolerances are available)
Frequency Stability	Over OTR	± 50 PPM (Standard)	From ± 10 PPM depending on OTR
Operating Temperature Range	T_{OPR}	-10°C to +60°C	-40°C to +85°C also available
Storage Temperature Range	T_{STG}	-55°C to +125°C	
Load Capacity	C_L	30pF (Std value)	Please specify
Drive-Level	D_L	100.0 μ W Typ.	0.5mW Max
Shunt Capacitance	C_0	4.0pF Typ.	
Dynamic Capacitance	C_1	20.0fF Typ.	
Ageing	Fa	± 5.0 PPM	at 25°C $\pm 3^\circ$ C 1st Year

Frequency Range	Mode	ESR	Reflow Solder Condition (260°C)
7.60 to 15.99 MHz	Fundamental	80 Ω	
16.00 to 29.99 MHz	Fundamental	50 Ω	
30.00 to 49.99 MHz	3rd Overtone	100 Ω	
50.00 to 110.0 MHz	3rd Overtone	90 Ω	



Dimensions (mm)

1000pcs per Reel



A	B	C	D	E	F	G	H	I	J	K	L
1.5	4.0	8.0	7.50	16.0	7.5	2.5	13.5	21.0	60.5	178	16.5