

**Crystal Clock Oscillator**

**Series C11**

- Gull wings option
- Wide frequency range
- Tri-state option

**Instrument Part Number: C11 00 4 45 - A2 - 50.0 TS**

**C11**  
SERIES  
C11

**00**  
STABILITY  
00 = ±100 PPM  
50 = ± 50 PPM  
25 = ± 25 PPM  
10 = ± 10 PPM

**4**  
PACKAGE  
1 = Full Size  
3 = Full Size, Gull Wing  
4 = Half Size  
6 = Half Size, Gull Wing

**45**  
SYMMETRY  
Blank = 40 / 60%  
45 = 45 / 55%

**A2**  
OPERATING TEMP  
Blank = 0°C ~ +70°C  
A2 = -40°C ~ +85°C

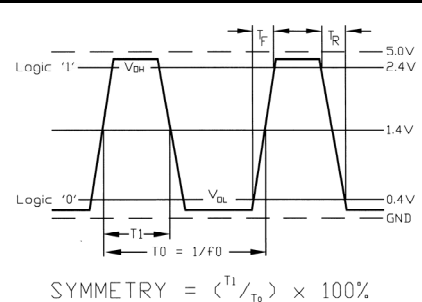
**50.0**  
FREQUENCY  
1.0 ~ 100.0 MHz

**TS**  
TRI-STATE  
Blank = No Connection  
TS = Tristate Pin 1

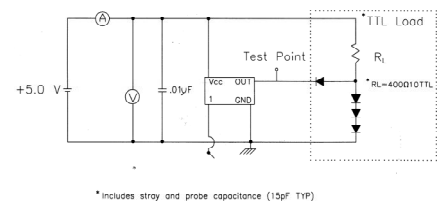
**Specifications:**

Description	Min	Typ	Max	Unit
Frequency Range:	1.000	-	100.000	MHz
Available Stability Options:	-100.0 -50.0 -25.0 -10.0	- - - -	100.0 50.0 25.0 10.0	PPM PPM PPM PPM
Output Format	TTL			
Low Output Voltage:	(1.0 ~ 24.99 MHz) (25.0 ~ 100 MHz)	- -	0.4 0.5	V V
High Output Voltage:	2.4	-	-	V
Output Load:	10 TTL			
Input Voltage:	4.5	5.0	5.5	V
Input Current:	(1.0 ~ 7.999 MHz) (8.0 ~ 24.99 MHz) (25.0 ~ 69.9 MHz) (70.0 ~ 100 MHz)	- - - -	15 30 70 80	mA mA mA mA
Rise/Fall Time:	(1.0 ~ 24.99 MHz) (25.0 ~ 69.99 MHz) (70.0 ~ 100.0 MHz)	- - -	10 5 4	ns ns ns
Startup Time:	(1.0 ~ 3.999 MHz) (4.0 ~ 7.999 MHz) (8.0 ~ 19.99 MHz) (20.0 ~ 100 MHz)	- - - -	35 30 20 15	Ms ms ms ms
Duty Cycle:	40 45	- -	60 55	% %
Tri-state Disable:	-	-	0.4	V
Tri-state Enable:	2.4	-	-	V
Storage Temperature Range:	-30	-	+85	°C
Operating Temperature Range:	-10 -40	- -	+70 +85	°C °C

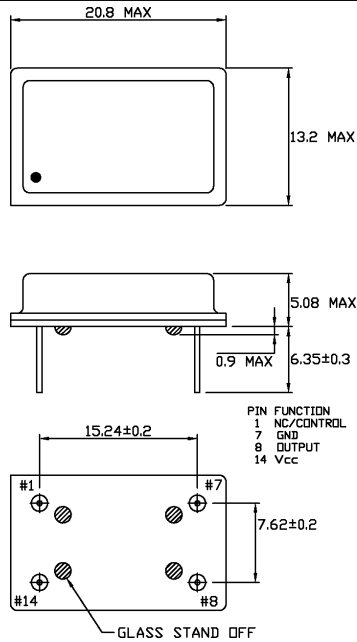
**OUTPUT WAVE FORM**



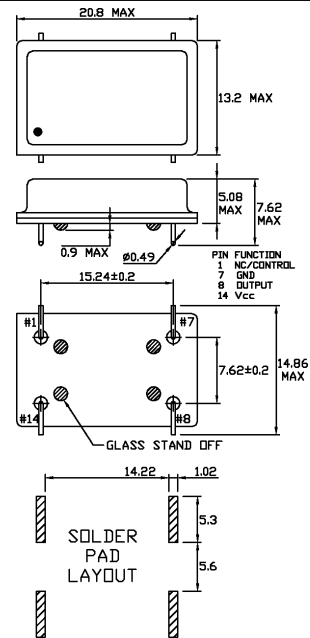
**TEST CIRCUIT**



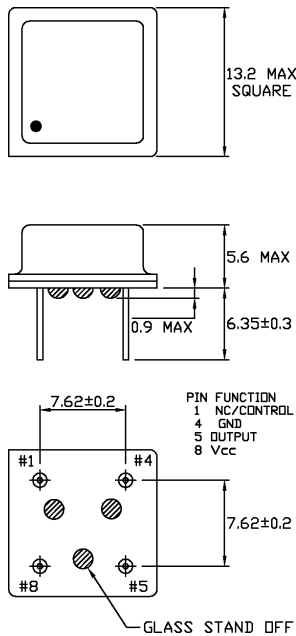
Style 1 Full Size 14 Pin Dip



Style 3 Full Size 14 Pin Dip Gull Wing



Style 4 Half Size 8 Pin Dip



Style 6 Half Size 8 Pin Dip Gull Wing

