

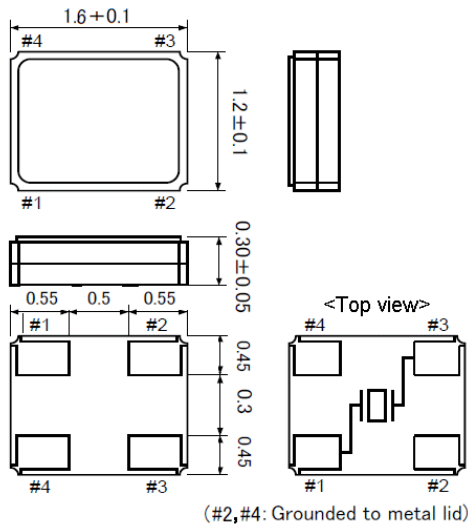


Quartz Crystal

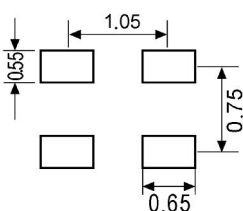
SMD-version

part no.	12.xxxxx
model	KX - 4
frequency range	24,0 ~ 80,0 MHz
mode	fundamental
operating temperature	standard -40° ~ +85°C (= KX-4T) available -20° ~ +70°C (= KX-4) available -40° ~ +105°C (= KX-4E) available -40° ~ +125°C (= KX-4F)
frequency tolerance at +25°C	standard ±30 ppm available ±10 ~ ±50 ppm
temperature tolerance -40° ~ +85°C -20° ~ +70°C -40° ~ +105°C -40° ~ +125°C	standard ±100 ppm, available ±15 ~ ±100 ppm standard ± 50 ppm, available ±10 ~ ±100 ppm standard ±120 ppm, available ±30 ~ ±100 ppm standard ±150 ppm, available ±50 ~ ±100 ppm
load capacitance C_L	standard 8 pF available 8 ~ 16 pF
series resonance R1 max.	24,0 ~ 31,99 MHz 150 Ohm 32,0 ~ 37,99 MHz 100 Ohm 38,0 ~ 80,0 MHz 80 Ohm
aging at +25°C (first year) max.	±2 ppm
shunt capacitance C_0 max.	5,0 pF
drive level max.	200 µW
contents of reel	1000 pcs.

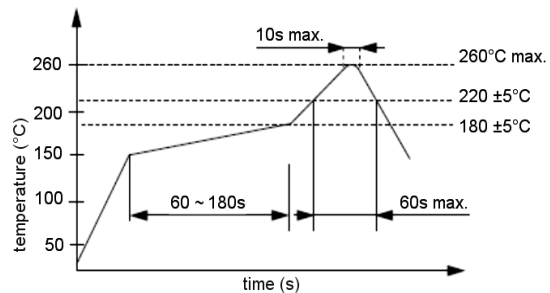
Dimensions (mm):



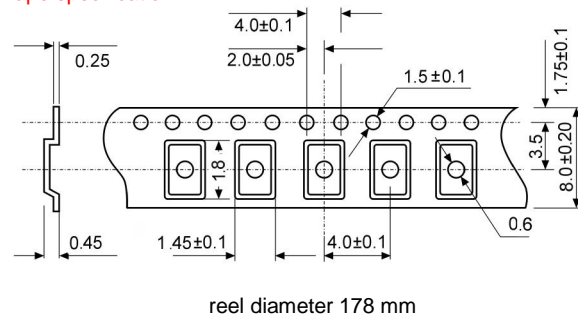
Suggested soldering pad:



Reflow soldering condition:



Tape specification:



reel diameter 178 mm

