

- Frequency 32.768kHz
- Ultra-miniature package: 2.05 x 1.2 x 0.6mm
- Low mass, rugged construction
- Packaged in standard EIA tape and reel



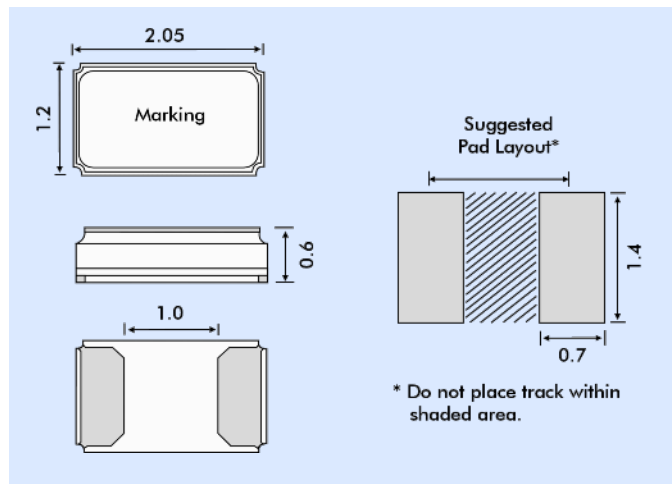
DESCRIPTION

EQ158 crystals provide 32.768kHz in an ultra-miniature package. The part is designed to provide the smallest possible component size for real-time clock applications. Their miniature size and rugged construction make them ideal for battery powered, hand-held equipment.

SPECIFICATION

Nominal Frequency:	32.768kHz
Storage Temperature Range:	-55° to +125°C
Operating Temperature Range:	-40° to +85°C
Drive Level:	0.5μW maximum
Standard Frequency Tolerance:	±30ppm or ±50ppm <i>(tighter tolerances available)</i>
Turnover temperature:	±25°C±5°C
Parabolic Coefficient:	-0.04ppm/°C ² maximum
Load Capacitance:	12.5pF
Motional Resistance (ESR):	65kΩ to 90kΩ maximum
Motional Capacitance:	2.7fF to 7.0fF, 6.4fF typical
Shunt Capacitance:	1.3pF typical, from 1.6pF to 0.8pF
Ageing:	±3ppm max. in first year @25°C

OUTLINE & DIMENSIONS



PART NUMBER AND SPECIFICATION

Frequency (kHz)	CL (pF)	Stock Number	Tolerance (±ppm)/ Temp. Range (°C)/ Max. ESR (Ohms)
32.7680	12.5	PH32768V	30/-40+85/90k

STABILITY OVER TEMPERATURE X-Cut Crystal

