

- Frequency 32.768kHz
- Light-weight SMD tuning fork crystal with low profile 0.8mm
- Ceramic package providing high precision and reliability
- Suitable for mobile telecoms and general applications



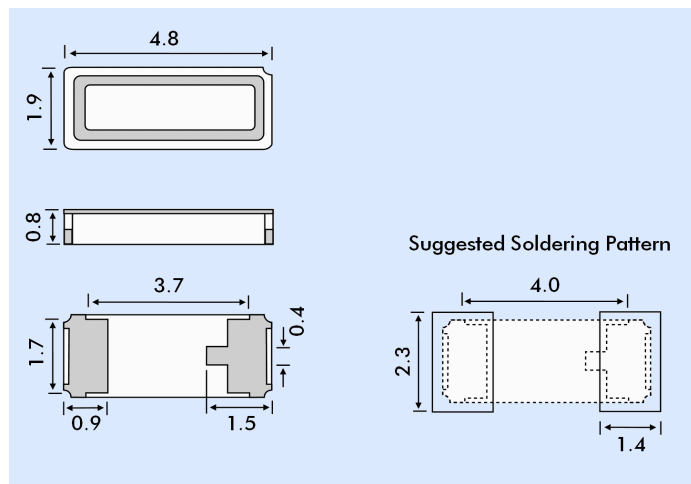
DESCRIPTION

EQ160 crystals provide 32.768kHz in a miniature SMD package. The 4.8 x 1.9mm ceramic package is reliable and rugged while remaining high precision.

SPECIFICATION

Nominal Frequency:	32.7680kHz
Load Capacitance:	9pF or 12.5pF
Drive Level:	1.0μW typical 1.5μW maximum
Frequency Tolerance:	±20ppm @25°C
Equivalent Series Resistance:	50kΩ typical, 80kΩ maximum
Turnover Temperature:	25°±5°C
Parabolic Coefficient:	-0.04ppm/°C ² maximum
Operating Temperature Range:	-40° to +85°C
Storage Temperature Range:	-40 to +85°C
Shunt Capacitance:	1.15pF typical
Packaging:	Tape and Reel, 3k pieces per reel
RoHS tatus:	RoHS Compliant

OUTLINE & DIMENSIONS

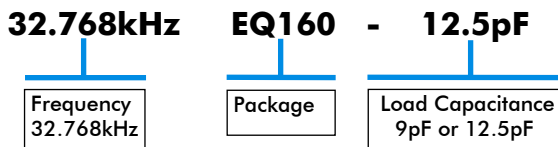


EUROQUARTZ STOCK NUMBERS

Frequency (kHz)	CL (pF)	Stock Number	Part Number
32.7680	12.5	PG32768A	32.768kHz EQ160-12.5pF
32.7680	9	PG32768B	32.768kHz EQ160-9pF

PART NUMBER

Example: 32.768kHz EQ160 - 12.5pF



STABILITY OVER TEMPERATURE

X-Cut Crystal

