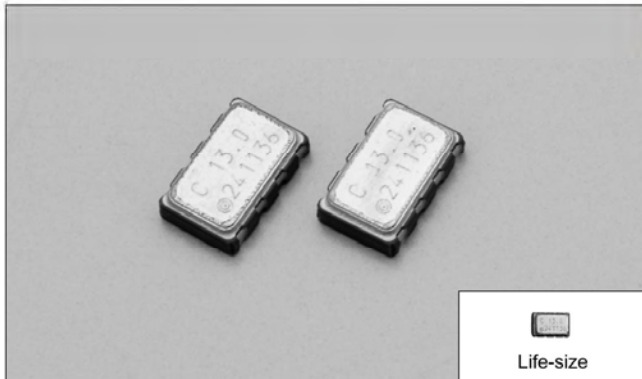


TEMPERATURE COMPENSATED CRYSTAL OSCILLATOR (SMD • Ceramic Package)

RoHS Compliant Standard

CSX532T

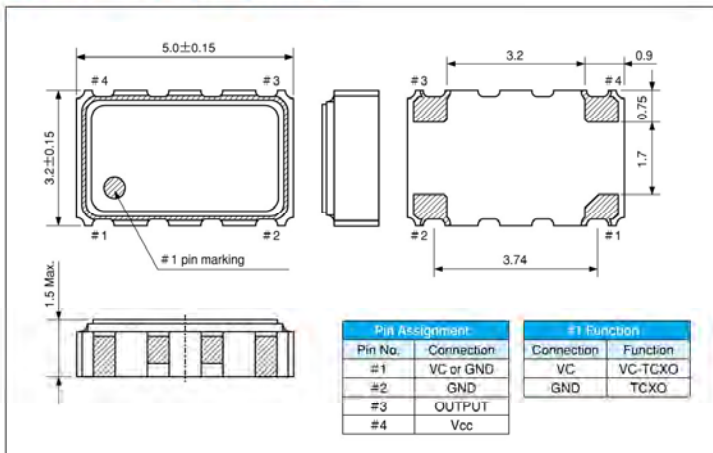
2000pcs/reel



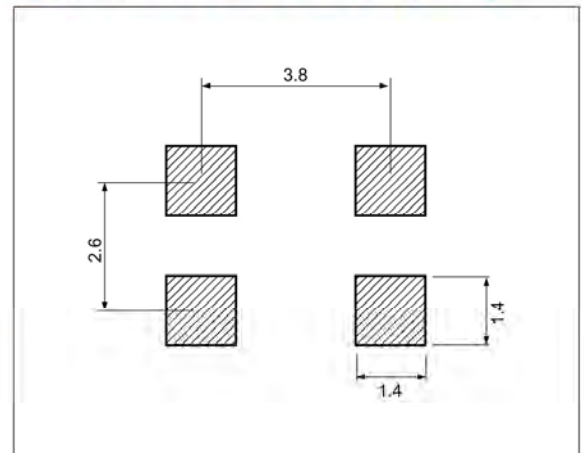
FEATURES

- With the function of frequency and voltage control .
- Available in 2.4V low voltage drive.
- Low current consumption.
- Automatic mounting and reflowable Type.
- Complete Pb free product.
- Most appropriate for Cellular phone, GPS and other equipment with telecommunication devices.

DIMENSION [mm]



SOLDER PAD LAYOUT [mm]



STANDARD SPECIFICATIONS

Item	Model	CSX532T			
Nominal Frequency	f_0	12.8MHz , 13.0MHz	14.4MHz	16.8MHz , 19.2MHz , 19.68MHz , 19.8MHz	26.0MHz
Frequency Stability	$\Delta f/f_0$	$\pm 2.5\text{ppm} / (-30^\circ\text{C} \sim +75^\circ\text{C})$			
Operating Temperature Range	T_{OPR}	$-30^\circ\text{C} \sim +75^\circ\text{C}$			
Storage Temperature Range	T_{STR}	$-40^\circ\text{C} \sim +85^\circ\text{C}$			
Supply Voltage	V_{dd}	2.4V ~ 3.0V			
Frequency adjustment range	Δf_c	$\pm 8\text{ppm Min.} / (V_{cont}=V_{dd}/2 \pm 1.0V)$			
Current consumption	I_{dd}	1.0mA Max.		1.2mA Max.	1.5mA Max.
Output Voltage	V_{OUT}	0.8Vp-p Min. (10k Ω /10pF)			
Start-up time	T_{ST}	5.0 msec Max.		3.5 msec Max.	
Aging (first year)	F_A	$\pm 1.0\text{ppm} / \text{year Max.}$			