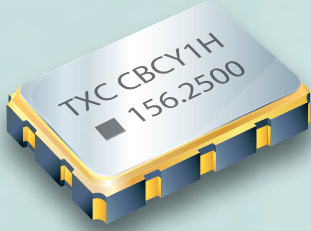


SMD LVPECL Crystal Oscillators - Differential Output

5.0 x 3.2 x 1.2 mm CB Series



Features

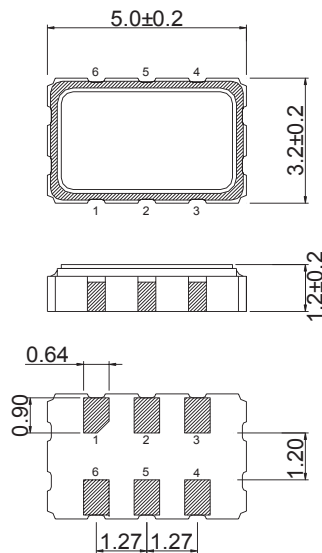
- 3rd overtone solution.
- 3.3V and 2.5V operation available.
- LVPECL output, output frequencies 25 MHz to 200 MHz.
- Excellent low phase noise and jitter.
- Tri-state function available.
- Applications : Fibre Channel, Gigabit Ethernet, Serial ATA, Serial Attached SCSI, PCI-Express, SDH/SONET.
- RoHS compliant / Pb Free.

Electrical Specifications

Item / Type	CB
Output Type	LVPECL
Output Load	50 Ω
Oscillation Mode	3rd Overtone
Supply Voltage (VDD)	2.5 V , 3.3 V
Frequency Range	25 ~ 200 MHz
Overall Frequency Stability *	± 50 ppm , or specify
Operating Temperature Range	-10 ~ + 70 $^{\circ}\text{C}$, - 40 ~ + 85 $^{\circ}\text{C}$, or specify
Storage Temperature Range	- 55 ~ + 125 $^{\circ}\text{C}$
Voltage Vol (Max.) / Voh (Min.)	VDD - 1.62 V / VDD - 1.025 V
Rise (Tr) / Fall (Tf) Time (20 % ~ 80 %)	1 nS Max.
Supply Current	80 mA Max.
Symmetry	45 ~ 55 %
Start-up Time	10 mS Max.
Phase Jitter (12 KHz ~ 20 MHz)	1 pS Max.

* Inclusive of frequency tolerance at 25 $^{\circ}\text{C}$, variation over temperature, supply voltage variation, aging and vibration.

Dimensions

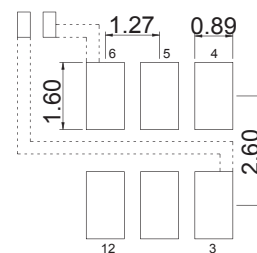


※ Pad dimension tolerance ± 0.2 mm

Pin Function:

1. Enable Control or NC
2. Enable Control or NC
3. GND
4. OUT
5. OUTN
6. VDD

Land Pattern:



※ Power Supply Decoupling Capacitor is Required.

※ Pad dimension tolerance ± 0.2 mm

Units: mm