

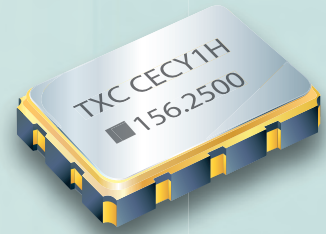


# SMD LVDS Crystal Oscillators - Differential Output 5.0 x 3.2 x 1.2 mm CE Series

Oscillators Series

## Features

- Fundamental solution.
- 3.3V and 2.5V operation available.
- LVDS output, output frequencies 25 MHz to 200 MHz.
- Excellent low phase noise and jitter.
- Tri-State function available.
- Applications : Fibre Channel, Gigabit Ethernet, Serial ATA, Serial Attached SCSI, PCI-Express, SDH/SONET.
- RoHS Compliant / Pb Free.

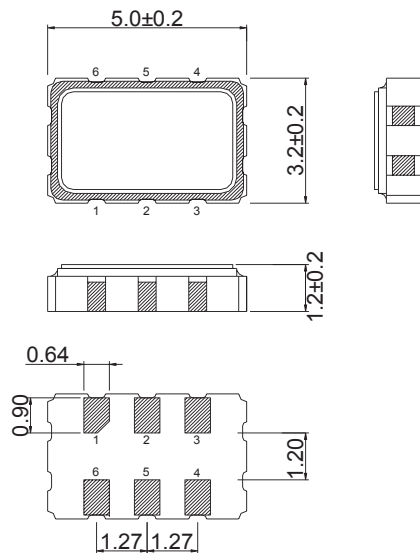


## Electrical Specifications

Item / Type	CE
Output Type	LVDS
Output Load	100 $\Omega$
Oscillation Mode	Fundamental
Supply Voltage	2.5 V , 3.3 V
Frequency Range	25 ~ 200 MHz
Overall Frequency Stability *	$\pm 50$ ppm , or specify
Operating Temperature Range	- 10 ~ + 70 $^{\circ}$ C , - 40 ~ + 85 $^{\circ}$ C , or specify
Storage Temperature Range	- 55 ~ + 125 $^{\circ}$ C
Voltage Vol ( Min. ) / Voh ( Max. )	0.9 V / 1.6 V
Rise ( Tr ) / Fall ( Tf ) Time ( 20 % ~ 80 % )	1 nS Max.
Supply Current	80 mA Max.
Symmetry	45 ~ 55 %
Start-up Time	10 mS Max.
Phase Jitter ( 12 KHz ~ 20 MHz )	1 pS Max.

\* Inclusive of frequency tolerance at 25  $^{\circ}$ C, variation over temperature, supply voltage variation, aging and vibration.

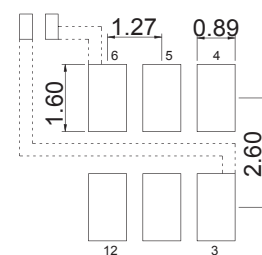
## Dimensions



### Pin Function:

1. Enable Control or NC
2. Enable Control or NC
3. GND
4. OUT
5. OUTN
6. VDD

### Land Pattern:



※ Pad dimension tolerance  $\pm 0.2$  mm

- ※ Power Supply Decoupling Capacitor is Required.
- ※ Pad dimension tolerance  $\pm 0.2$  mm

Units: mm

