

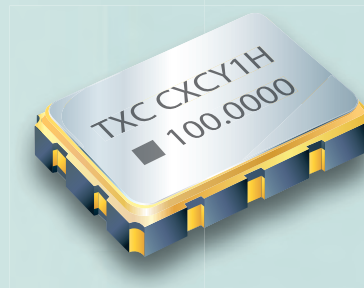


SMD HCSL Crystal Oscillators - Differential Output 5.0 x 3.2 x 1.2 mm CX Series

Oscillators
Series

Features

- 3.3V and 2.5V operation available.
- HCSL output, output frequencies 25 MHz to 200 MHz.
- Excellent low phase noise and jitter.
- Tri-State function available.
- PCI-Express, SAS, SATA and other high-Speed interface applications.
- RoHS Compliant / Pb Free.

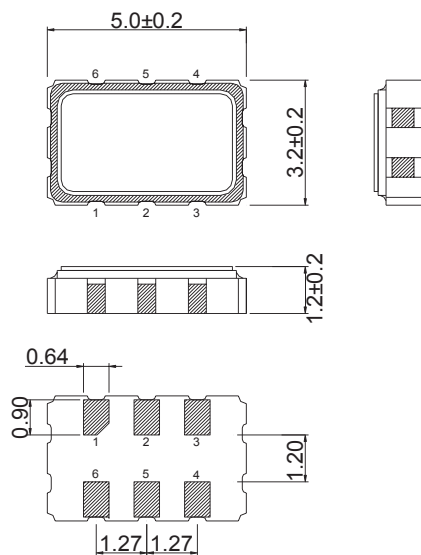


Electrical Specifications

Item / Type	CX
Output Type	HCSL
Output Load	50 Ω
Oscillation Mode	3rd Overtone
Supply Voltage	2.5 V, 3.3 V
Frequency Range	25 MHz to 200 MHz
Overall Frequency Stability *	± 50 ppm, or specify
Operating Temperature Range	-10 ~ +70 $^{\circ}\text{C}$, -40 ~ +85 $^{\circ}\text{C}$, or specify
Storage Temperature Range	-55 ~ +125 $^{\circ}\text{C}$
Voltage Vol (Typ.) / Voh (Typ.)	0 mV / 740 mV
Rise (Tr) / Fall (Tf) Time (20% ~ 80%)	0.5 nS Max.
Supply Current	30 mA Max.
Symmetry	45 ~ 55 %
Start-up Time	10 mS Max.
Phase Jitter (12 KHz ~ 20 MHz)	1.0 pS Max.

* Inclusive of frequency tolerance at 25 $^{\circ}\text{C}$, variation over temperature, supply voltage variation, aging and vibration.

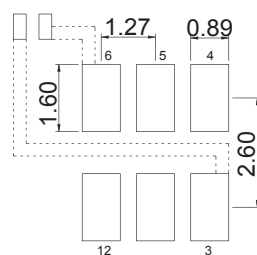
Dimensions



Pin Function:

1. Enable Control or NC
2. Enable Control or NC
3. GND
4. OUT
5. OUTN
6. VDD

Land Pattern:



※ Pad dimension tolerance ± 0.2 mm

※ Power Supply Decoupling Capacitor is Required.

※ Pad dimension tolerance ± 0.2 mm

Units: mm

